

T-RACK

Linear rack actuators - Force in push action 1000/2000 N - Stroke 350, 550, 750 and 1000 mm



- 12 mm square rack transmission.
- Supplied with 1,5 m cable.
- Available end brackets or sliding brackets (to be ordered separately); the dovetail slide allows the fixing on the whole length of the T-Rack actuator.
- Available on request:
 - 1200 mm stroke
 - F-SIGNAL versions with opening and closing feedback signal (free potential, maintained contact), activated by the current limit.



24 Vdc version is suitable for installation on **Smoke and Heat Exhaust Ventilators (SHEV)** in conformity to European Standard **EN 12101-2** and tested by Istituto Giordano.

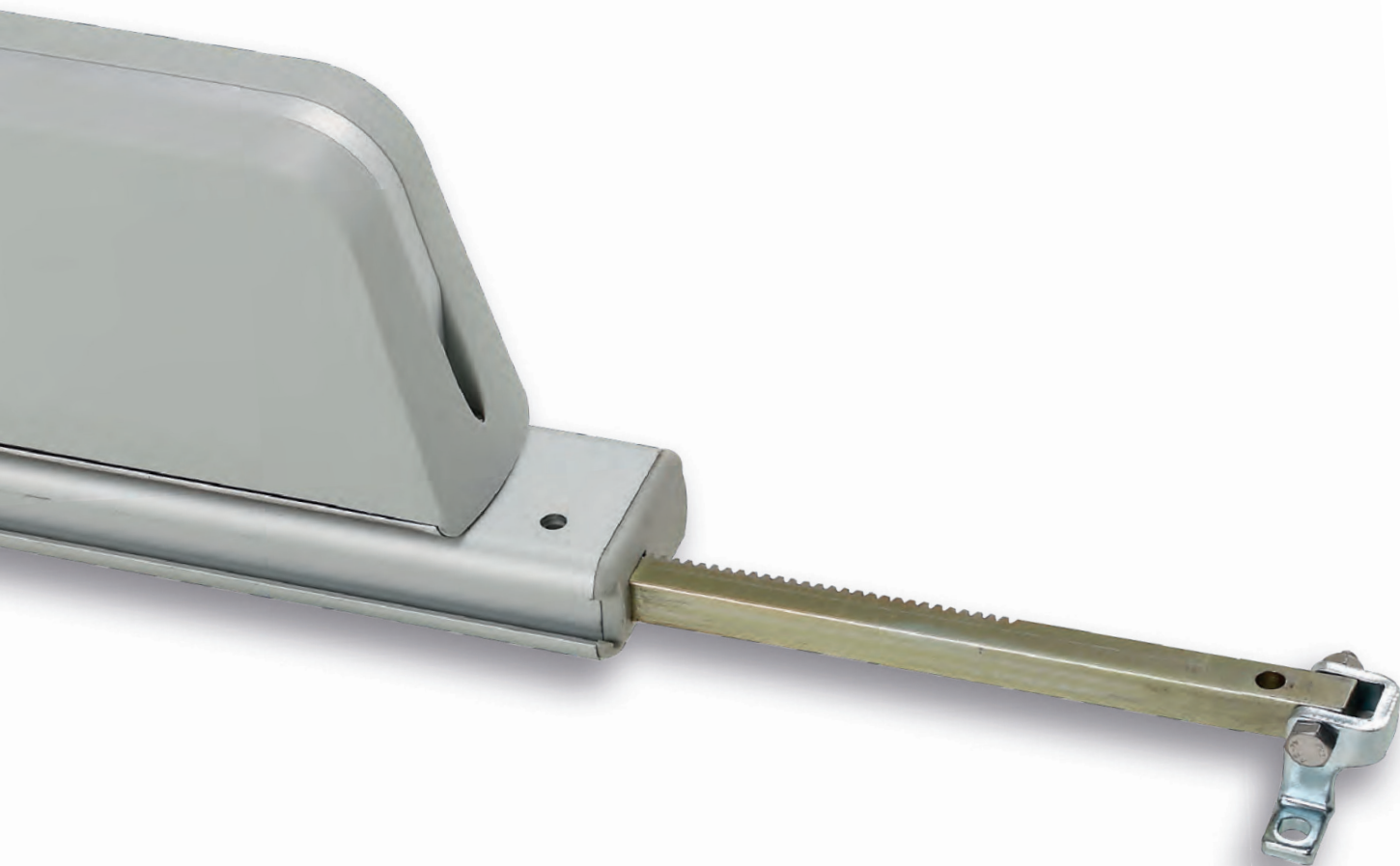
MULTIPLE SYSTEMS

- For large domes/top hinged windows or to provide more stability, the T-Rack actuator can be used in the **Dual T-Rack** version, providing two push points on the same vent. For each system assembly are necessary 1 T-Rack actuator, 1 T-Rack group, 1 connecting rod and 2 end fix brackets (part No. 41760Y)
- For special multiple application when speed synchronization or more power is required, max 4 actuators **Synchro T-Rack** can be used, each one providing 1000 N force. Synchro T-Rack version is equipped with an integrated speed synchronization control board, avoiding the installation of an external control box and metallic rod between the actuators.

CONNECTING ROD:

Diameter 12 mm in stainless steel. Quick clutch: fixing accessories are not necessary.
Available different lengths for following distance between racks:

PART No.	
1050 mm	40231B
1550 mm	40232C
2050 mm	40233D



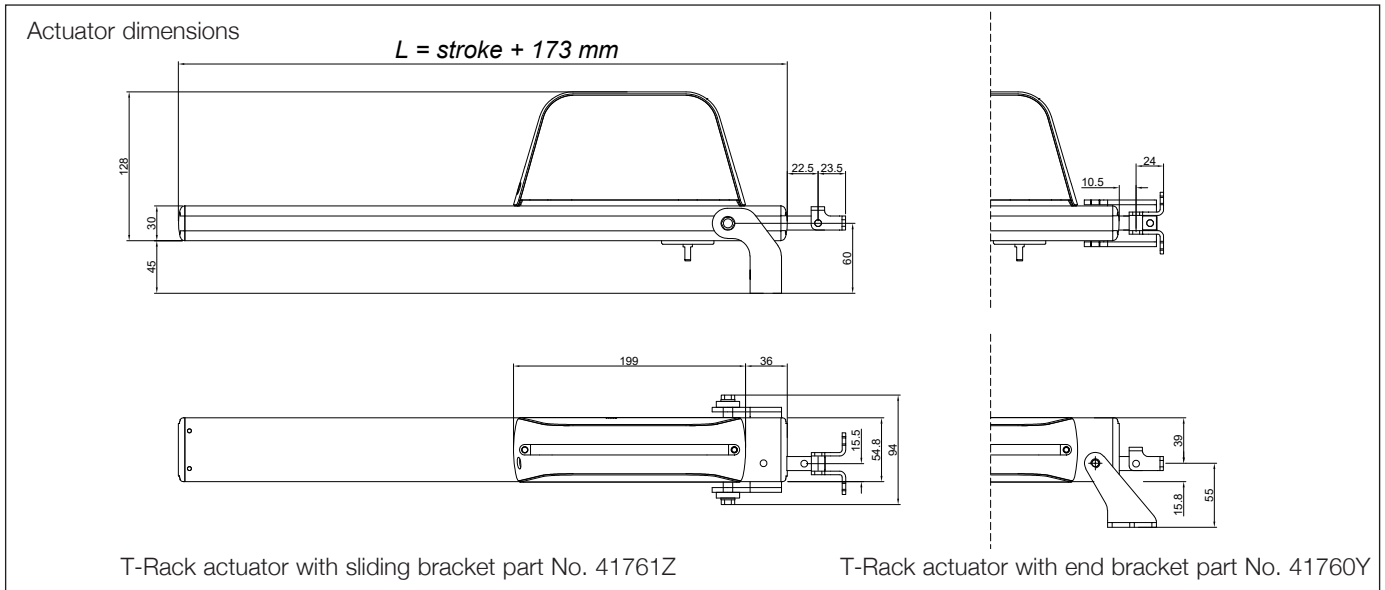
	T-RACK 230 V AC	T-RACK 24 V DC	SYNCHRO T-RACK 24 V DC
VOLTAGE SUPPLY	230 Vca ± 10%	24 Vdc ± 10%	24 Vdc ± 10%
ELECTRIC CONNECTION	3 wires + earth	2 wires + signalling	5 wires
OPERATION	-	by polarity inversion	by polarity inversion
FORCE IN PUSH ACTION	1000 N	1000 N	1000 N
FORCE IN PULL ACTION	1000 N	1000 N	1000 N
SPEED	~12,5 mm/s	~12,5 mm/s	~12,5 mm/s
CURRENT ABSORPTION (with max load)	0,22 A	1,5 A	1,5 A
PARALLEL CONNECTION	Yes	Yes	Yes
LIMIT STOP	Electronic	Electronic	Electronic
SAFETY STOP	Electronic	Electronic	Electronic
FEEDBACK SIGNAL	-	Open/Close	-
PROTECTION CLASS	IP65	IP65	IP65
COLOUR	Silver anodized	Silver anodized	Silver anodized

PART No.	T-RACK GROUP			
STROKE 350 mm	41740E	41745J	41750O	41755T
STROKE 550 mm	41741F	41746K	41751P	41756U
STROKE 750 mm	41742G	41747L	41752Q	41757V
STROKE 1000 mm	41743H	41748M	41753R	41758W

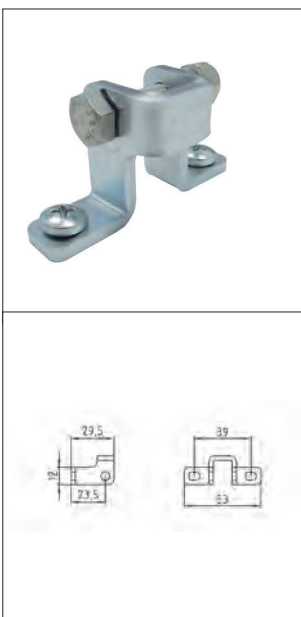
NOTE: brackets not included - to be ordered separately



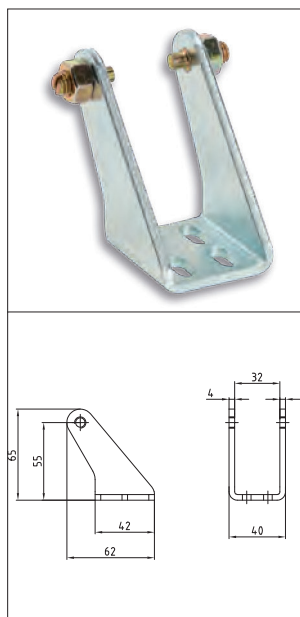
STROKE	L [mm]
350	523
550	723
750	923
1000	1173



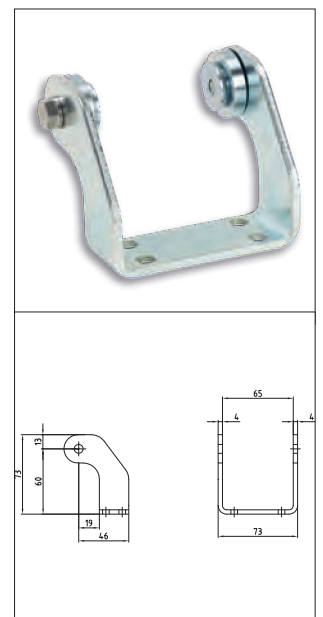
Accessories



Connector kit to fix the rack to the vent (included)



End bracket part No. 41760Y



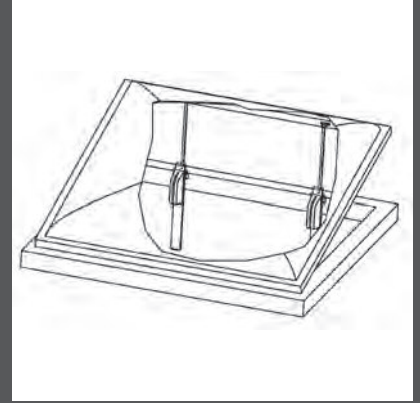
Sliding bracket part No. 41761Z

Installation examples

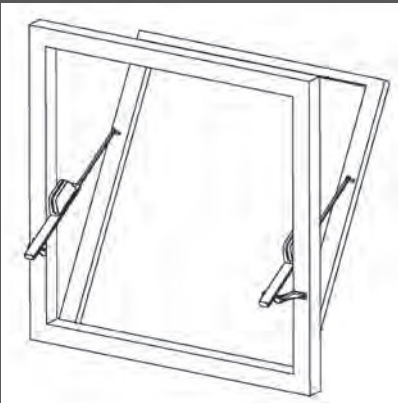
Outward



Installation on top hinged window




Installation on domes



Installation on bottom hinged windows outward opening



Installation on vertically opening domes

 The instructions for a safe installation are included in the section “SECURITY WARNINGS”

SPECIFICATION PROSPECTS

T-RACK

Electric linear actuator Ultraflex Control Systems. Available strokes 350, 550, 750 or 1000 mm. Voltage supply: 230 Vac or 24 Vdc. Electronic safety limit stop and electronic stop in the intermediate positions. Parallel connection. Color: silver anodized. Force 1000 N

DUAL T-RACK

System assembly with two push points composed by one T-Rack Actuator, one T-Rack Group and a connecting rod. Force 1000 N

SYNCHRO T-RACK

Electric linear actuator Ultraflex Control Systems with integrated speed synchronization control board up to four push points on the same structure without connecting rod. Force 1000 N each actuator.