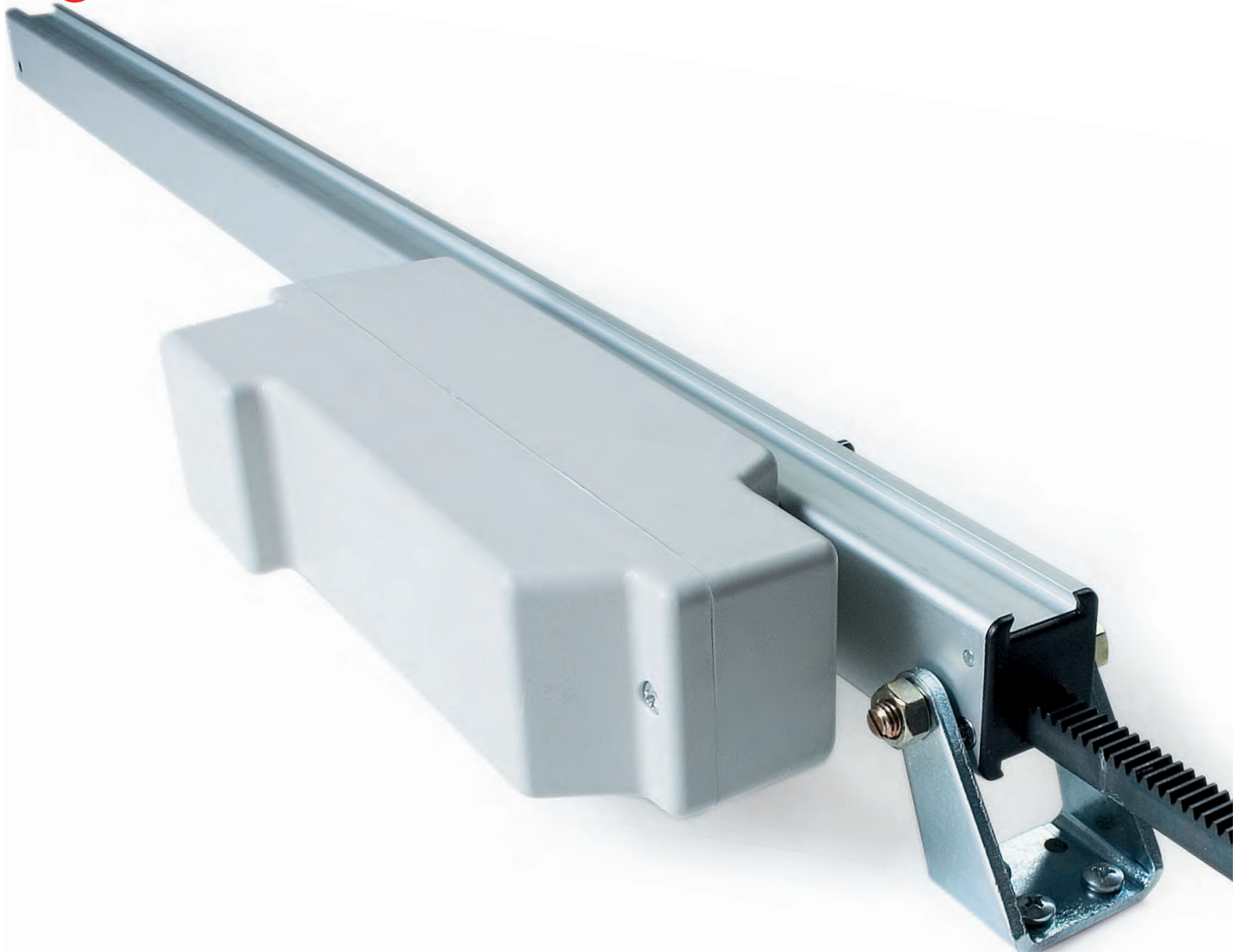


RACK

Linear rack actuators - Force in push action 650/1500 N - Stroke 180, 350, 550, 750 and 1000 mm



- 10 mm square rack transmission for stroke 180 mm, 350 mm, 550 mm and 12 mm square rack transmission for stroke 750 mm e 1000 mm.
- Supplied with 1,5 m cable.
- Available end brackets or sliding brackets (to be ordered separately); the dovetail slide allows the fixing on the whole length of the rack actuator. Not for multiple systems.



24 Vdc version is suitable for installation on **Smoke and Heat Exhaust Ventilators (SHEV)** in conformity to European Standard **EN 12101-2** and tested by Istituto Giordano.

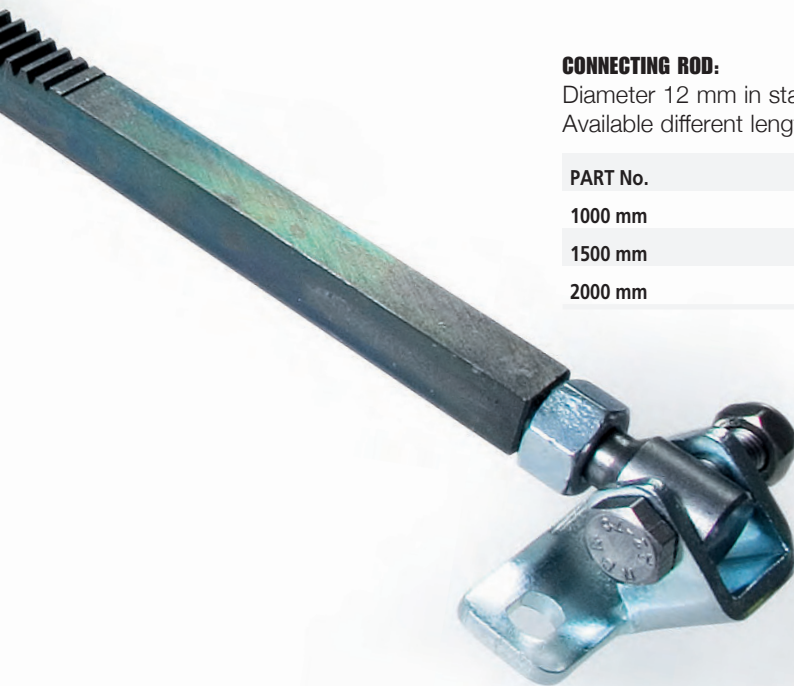
MULTIPLE SYSTEMS

- For large domes/top hinged windows or to provide more stability, the Rack actuator can be used either in the **Dual Rack** or in the **Double Rack** version, providing two or more push points on the same vent. Double Rack provides the double of the force
- **Dual Rack:** push force 650 N (230 Vac) - 750 N (24 Vdc). For each system assembly are necessary 1 Rack actuator, 1 Rack group, 1 connecting rod and 2 end brackets (part No. 40234E see next page)
- **Double Rack:** push force 1300 N (230 Vac) - 1500 N (24 Vdc) For each system assembly are necessary 1 Rack actuator, 1 Auxiliary Rack actuator in parallel connection, 1 connecting rod and 2 end brackets (part No. 40234E see next page)
- **Other multiple systems:**
It is also available a Rack Group Double Pivot for system assembly providing 3 or more push points

	RACK 230 V AC	RACK 24 V DC
VOLTAGE SUPPLY	230 Vac ± 10%	24 Vdc ± 10%
ELECTRONIC CONNECTION	3 wires + earth	2 wires + signalling
OPERATION	-	by polarity inversion
FORCE IN PUSH ACTION	650 N	750 N
FORCE IN PULL ACTION	350 N	650 N
SPEED	~8 mm/s	~8 mm/s
CURRENT ABSORPTION (with max load)	0,1 A	1 A
PARALLEL CONNECTION	Yes	Yes
LIMIT STOP	Electronic	Electronic
SAFETY STOP	Electronic	Electronic
FEEDBACK SIGNAL	-	Open/Close
PROTECTION CLASS	IP55	IP55
COLOUR	Silver anodized	Silver anodized

PART No.		
STROKE 180 mm	40209F	40400A
STROKE 350 mm	40211T	40217D
STROKE 550 mm	40213V	40219H
STROKE 750 mm	40789D	40791F
STROKE 1000 mm	40790E	40792G

PART No.	RACK GROUP	RACK GROUP DOUBLE PIVOT	AUXILIARY RACK 230 VAC	AUXILIARY RACK 24 VDC
STROKE 180 mm	40223B	40379W	40631P	40636A
STROKE 350 mm	40225D	40380U	40632S	40637C
STROKE 550 mm	40227F	40381V	40633U	40638E
STROKE 750 mm	40754U	40851N	40847J	40849L
STROKE 1000 mm	40755V	40852O	40848K	40850M



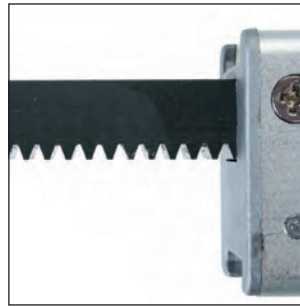
CONNECTING ROD:

Diameter 12 mm in stainless steel. Quick clutch: fixing accessories are not necessary. Available different lengths for following distance between racks:

PART No.	
1000 mm	40231B
1500 mm	40232C
2000 mm	40233D

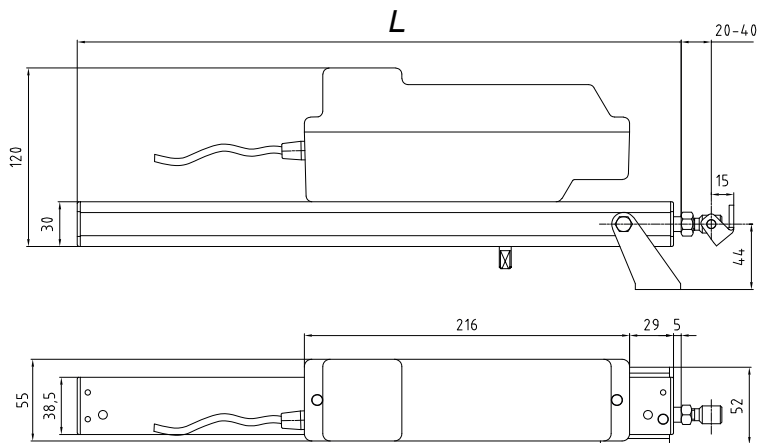
NOTE: brackets not included - to be ordered separately

RACK, DUAL RACK and DOUBLE-RACK

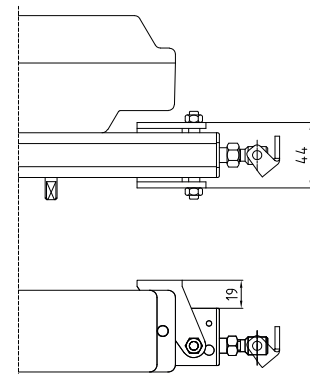


STROKE	A [mm]
180	400
350	570
550	770
750	970
1000	1220

Actuator dimensions

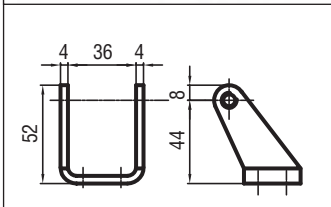


Rack actuator with sliding bracket part No. 40235F



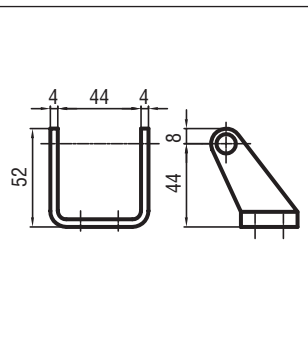
Rack actuator with end bracket part No. 40234E

Accessories



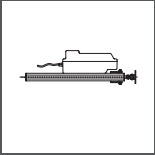
Sliding bracket part No. 40235F. It allows the fixing for the whole length of the actuator. To use only for single Rack.

End bracket part No. 40234E. To use for Dual Rack and Double Rack system or single Rack.

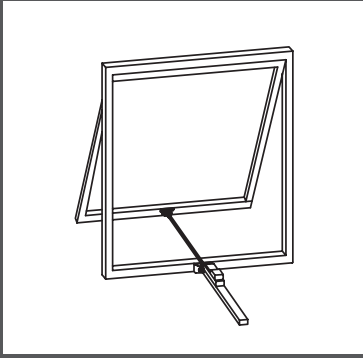


Connector kit to fix the rack on the vent (included)

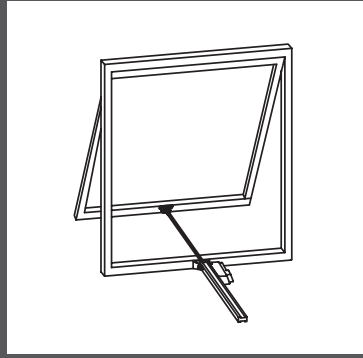
Installation examples



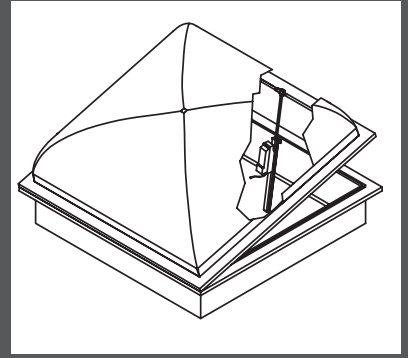
Single Rack



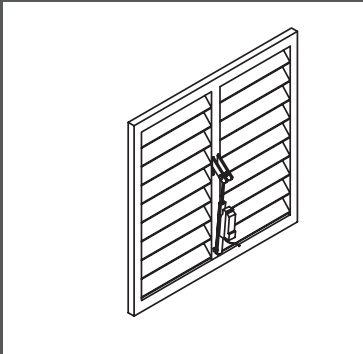
On top hinged window without windowsill with front fixing through sliding bracket part No. 40235F



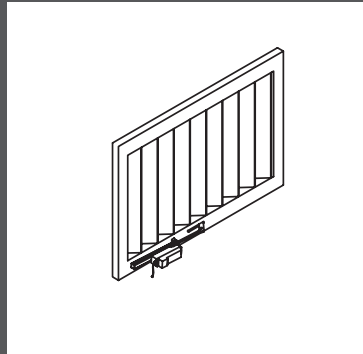
On top hinged window without windowsill with front fixing through end bracket part No. 40234E



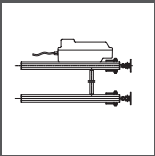
On domes with front fixing through sliding bracket part No. 40235F



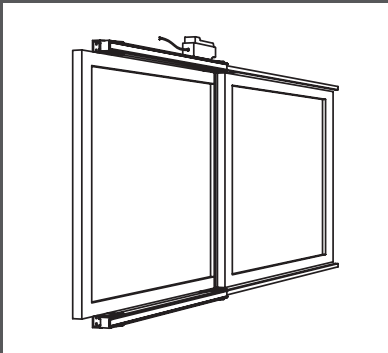
On horizontal louvres with back fixing through sliding bracket part No. 40235F



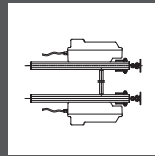
On vertical sun blades with back fixing through sliding bracket part No. 40235F



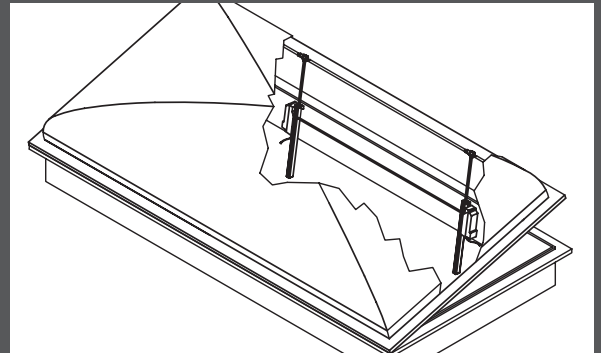
Dual Rack




Installation of the Dual Rack on sliding windows with end bracket part No. 40234E and connection of the two actuators through rod



Double Rack



Installation of the Double Rack on domes with end bracket part No. 40234E and connection of the two actuators through rod

 The instructions for a safe installation are included in the section "SECURITY WARNINGS"

SPECIFICATION PROSPECTS

RACK

Electric linear actuator Ultraflex Control Systems. Available strokes 180, 350, 550, 750 or 1000 mm. Voltage supply: 230 Vac or 24 Vdc. Electronic safety limit stop and electronic stop in the intermediate positions. Parallel connection. Color: silver anodized. Force 650 N/750 N

DUAL RACK

System assembly with two push points composed by one Rack Actuator, one Rack Group and a connecting rod. Force 650 N/750 N

DOUBLE RACK

System assembly with two push points composed by one Rack Actuator, one auxiliary Rack and a connecting rod. Force 1300 N/1500 N.

Systems with more than two push points can be obtained with a Rack Group double pivot.